



CT484 SECURITY CABINS

Security entrance with possible RC4
burglar-proof degree to meet the widest space
requirements related to transport and
introduction into the places



SQUARE BASE CABIN

SELF-MANAGED WITH ROTATING DOORS

The CT series Portals represent one of the architectural solutions for the construction of emergency entrances. Particularly suitable for ministries, banks, industries and airports.

Depending on the need, they can be both mobile and dismantlable structures; a feature that allows them to satisfy the widest space requirements related to transport and introduction into the premises.



SINGLE PASSAGE
CHECKING
SYSTEM



INTERLOCKED
DOORS



FACE DETECTION
Anti-mask system
(optional)



FINGERPRINT
CONTROL
(optional)



BULLETPROOF
BURGLAR-PROOF



Certified glass:

Bulletproof BR2/S UNI EN1063

Burglar-proof P6B UNI EN356



With square base it is available in some versions with 180° or 90° transits:

- CT484: with base 1050 mm, standard glasses 20/21 (optional glasses 26/27).

ACCESSORIES AND EQUIPMENT

- Abandoned object control device.
- Volumetric single person transit checking system.
- Digital display, menu guided command and setting console.
- Traffic light / intercom system.
- Multilingual voice messages.
- Interfacing with access control/time attendance systems.
- Micro-camera positioned in the transit compartment.
- Application of magnetic stripe or proximity badge readers, biometric recognition systems.
- Lock for manual closing of external door.



Energy saving

Thermal insulation: the internal air does not come into direct contact with the external air.

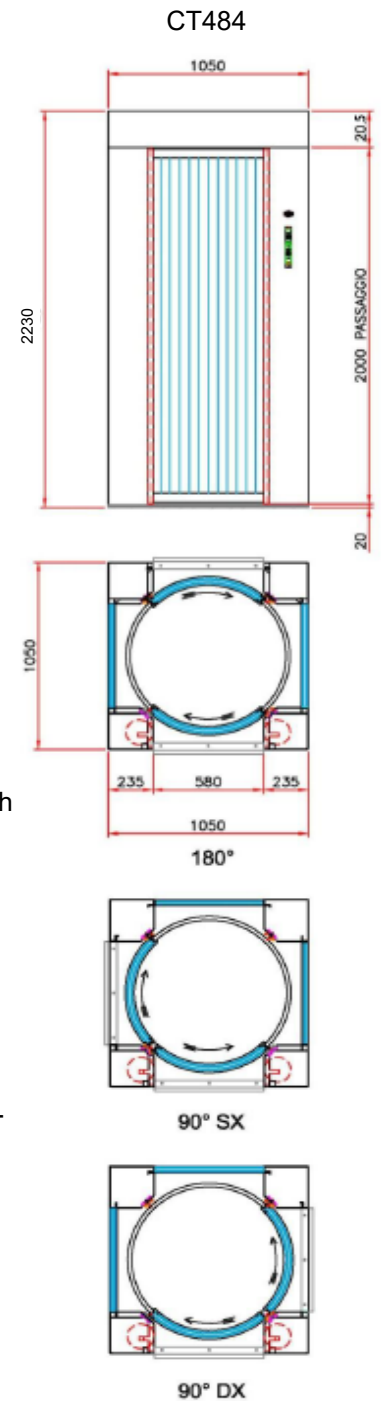


Suitable for
disabled access



MAIN FEATURES

- DIMENSIONS:
 - CT484 L 1050 x P 1050 x H 2230 mm
- FREE PASSAGE AREA:
 - CT484 L 580 x H 2000 mm
- WEIGHT: from 700 Kg up to 800 Kg according to the model and additional options.
- POWER SUPPLY: 230 V 110 V on request), 50-60 Hz
- VOLTAGE: 12-24 Vdc with back up batteries for uninterrupted operations in case of power loss (120 cycles or 3h).
- CONSUMPTION: 85 W.
- THROUGHPUT: 3-4 full cycles/ 1 one sense 4-6 full cycles/ 1 two senses according to the model and additional options.
- FRAME:
 - -demountable, in painted steel frame 30/10.
 - -steel sides on applications.
 - -cabins floor 20 mm thick (cabins do not need to be recessed).
- PAINTING AND FINISHING RAL: colours code range standards with «orange skin» finishing (flat finishing and other colours on request).
- STANDARD GLASSES: Bulletproof glass doors and sides 20/21mm BR2/S P6B (different crystal thicknesses are available).
- LIGHTING: inside lighting with 12 V, 50 60 Hz led spots.
- MOVEMENT: 24 V d celectric motors assisted sliding doors movement with reversible option for manual opening in case of total power loss.
- ELECTRONICS: microprocessor based electronics.
- ACCIDENT PREVENTION MEASURES: self adjusted braking, speed control and accident prevention devices.
- PROGRAMMABLE OPTIONS: emergency escape/door locks automatic/manual transit passage one/both directions.



OPTIONAL ON REQUEST

- RC 4 resistance level available according to the UNI EN 1627
- Metal Detector.
- FB 4 bullet proof frame resistance level available according to the EN 1522.
- Certified glasses BR3/S-P6B.
- Different RAL colour.
- Traffic light / intercom system.
- Application of magnetic stripe or proximity badge readers, biometric recognition systems.
- Additional single transit through volumetric ultra sound sensors.





CoMETA S.p.A.

Headquarters - Firenze, Italia

Via Leonardo da Vinci, 116 - 50028 Barberino Tavarnelle

Tel: +39 055 8070303 - Fax: +39 055 8070505

info@cometaspa.com

www.cometaspa.com