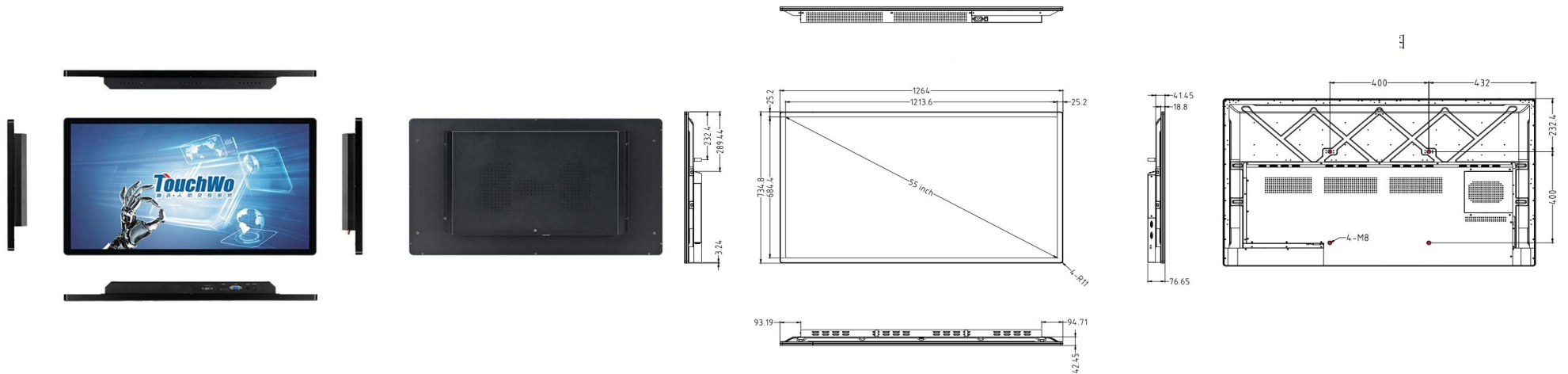


# TouchWo® 55" Android Touch PC

Model : HD55

## Views & Dimensions



## Features

- **24/7 Commercial Use**

Industrial-grade Power Supply

30,000-hour extended life LCD display

- **Wall mounted/desktop stand/embedded etc**

- **Stylish Appearance**

Industry-leading ultra-narrow screen bezel

Full aluminum alloy frame

- **Surface IP65 waterproof**



## Tech Specs

<b>LCD Panel</b>	<b>Screen diagonal</b>	55inch	<b>Touch Panel</b>	<b>Touch technology</b>	PCAP
	<b>Physical resolution</b>	1920*1080 (4K optional)		<b>Response time</b>	<5ms
	<b>Aspect ratio</b>	16:09		<b>Touch points</b>	10 points standard
	<b>Display active screen size (mm)</b>	1213.6*684.4		<b>Touch effective recognition</b>	>1.5mm
	<b>Colours displayed</b>	16.7M		<b>Scanning Frequency</b>	200Hz
	<b>Brightness (cd/m2)</b>	300		<b>Scanning accuracy</b>	4096 * 4096
	<b>Contrast</b>	1200:1		<b>Working Current/Voltage</b>	180Ma/DC+5V±5%
	<b>Visual Angle H/V (°)</b>	178/178		<b>Surface Hardness</b>	Mohs class 7 explosion-proof glass
	<b>Backlight Lifetime (hours)</b>	LED 30,000			
<b>Refrash Rate</b>	60 Hz				
<b>Operation Environment</b>	<b>Operation Temperature</b>	0°C-50°C	<b>Dimension</b>	<b>Machine(cm)</b>	126.4 (W) *73.48 (H) *7.67 (T)
	<b>Operation Humidity</b>	0% - 90%		<b>Package(cm)</b>	136 (W) * 89 (H) *17.3 (T)
	<b>Storage Temperature</b>	0°C-60°C		<b>Net weight</b>	30kg
	<b>Storage Humidity</b>	0% - 65%		<b>Gross weight</b>	35kg

<b>Operating System-Android</b>	<b>CPU</b>	Rockchip RK3568	Rockchip RK3288	Rockchip RK3588
	<b>Graphic GPU</b>	ARM G52 2EE	Mali-T864	Mali-G610
	<b>Memory</b>	2G (4G optional)	2G (4G optional)	4G (8G optional)
	<b>Storage</b>	32G eMMC	16G eMMCG(32G optiona)	64G eMMCG(128G optional)
	<b>Network</b>	10/100 RJ45, 802.11a/b/g/n/ac Wifi	100/1000M RJ45, 802.11a/b/g/n/ac Wifi	
	<b>Pre-installed OS</b>	Andorid11	Andorid9	Andorid12
	<b>Pre-installed OS</b>		Windows 10 /11/Linux	

<b>Power supply parameters</b>	Power Input	110-240V AC 50/60Hz	Manual	* 1
	Standby power consumption	≤0.5W	Wall mount bracket	* 1
	Overall power consumption	<160W	WIFI antenna	* 1
			Power cable	* 1

**Included in the Delivery**

# External Connectors

Android



RJ45 Port	* 1	USB	* 2	TF slot	* 1	Optional to extend	USB/RS232/TTL
Power Socket	* 1	HDMI out	* 1	Audio in&out	* 1		

# Use Case

