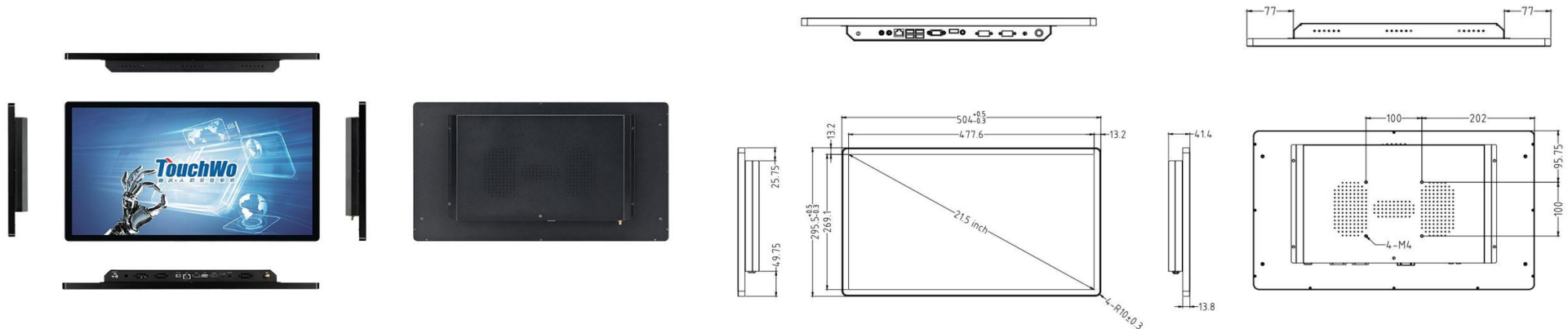


TouchWo®

21.5" Android Touch PC

Model : HD215

Views & Dimensions



Features

- **24/7 Commercial Use**

Industrial-grade Power Supply

30,000-hour extended life LCD display

- **Wall mounted/desktop stand/embedded etc**

- **Stylish Appearance**

Industry-leading ultra-narrow screen bezel-13.2mm

13.8mm full aluminum alloy frame

- **Surface IP65 waterproof**



Tech Specs

LCD Panel		Touch Panel	
Screen diagonal	21.5inch	Touch technology	PCAP
Physical resolution	1920*1080	Response time	<5ms
Aspect ratio	16:09	Touch points	10 points standard
Display active screen size (mm)	477.6 * 269.1	Touch effective recognition	>1.5mm
Colours displayed	16.7M	Scanning Frequency	200Hz
Brightness (cd/m2)	300	Scanning accuracy	4096 * 4096
Contrast	1000:1	Working Current/Voltage	180Ma/DC+5V±5%
Visual Angle H/V (°)	178/178	Surface Hardness	Mohs class 7 explosion-proof glass
Backlight Lifetime (hours)	LED 30,000		
Refresh Rate	60 Hz		

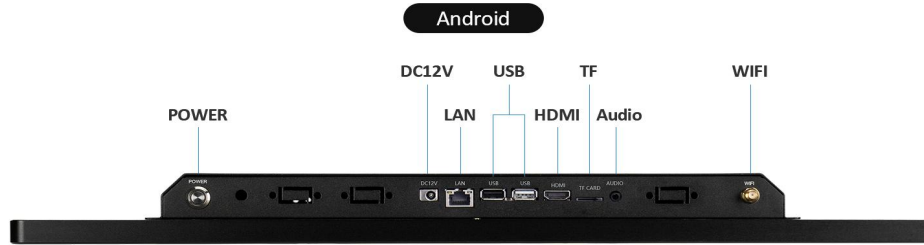
Operation Environment		Dimension	
Operation Temperature	0°C-50°C	Machine(cm)	50.4 (W) * 29.6 (H) *4.15 (T)
Operation Humidity	0% - 90%	Package(cm)	57 (W) * 44 (H) *15 (T)
Storage Temperature	0°C-60°C	Net weight	4.5kg
Storage Humidity	0% - 65%	Gross weight	6.12kg

Operating System-Android	CPU	Rockchip RK3568	Rockchip RK3288	Rockchip RK3588
	Graphic GPU	ARM G52 2EE	Mali-T864	Mali-G610
	Memory	2G (4G optional)	2G (4G optional)	4G (8G optional)
	Storage	32G eMMC	16G eMMCG(32G optiona)	64G eMMCG(128G optional)
	Network	10/100 RJ45, 802.11a/b/g/n/ac Wifi	100/1000M RJ45, 802.11a/b/g/n/ac Wifi	
	Pre-installed OS	Andorid11	Andorid9	Andorid12

Power supply parameters	Power Input	110-240V AC 50/60Hz	Manual	* 1
	Power Output	DC 12V5A	Wall mount bracket	* 1
	Standby power consumption	≤0.5W	WIFI antenna	* 1
	Overall power consumption	<36W	Power Adapter&cable	* 1

Included in the Delivery

External Connectors



RJ45 Port * 1
Power Socket * 1

USB * 2 TF slot * 1
HDMI out * 1 Audio in&out * 1

Optional to extend USB/RS232/TTL

Use Case

