

CYLINDER SWING TURNSTILE



Model DS8000H

Cylinder Swing Turnstile

DS8000 cylinder swing turnstile with the most special feature is pillar diameter which is slim as 168mm for space occupation saving, one set glass arm can be heightened 1000mm and passing width can up to 900mm for handicapped lane.

Features

- Two way or one way working.
- Support integrated with any type of access control systems.
- Arm height: 900mm; Passage width:1000mm (maximum)
Arm height: 1200mm; Passage width: 900mm (maximum)
Arm height: 1800mm; Passage width: 450mm (maximum)
- Lower power consumption.
- Low noise, system runs smoothly.
- Green and red LED indicator display passing status.
- Fire safety requirements, arms open automatically.
- Easy to install and maintain.
- 3 years warranty support.

Customized Service

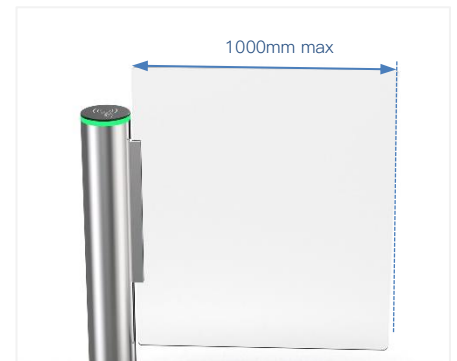
- Appearance color can be customized based on installation environment.
- Dimensions can be customized to meet your request.
- Logo can be customized.
- Arm glass width optional.
- Arm material optional: plexiglas or glass (optional)
- Picture: high resolution and 3D renderings picture can be customized.



Logo Custom



Fire Safety Requirements,
Arms Open Automatically



Wide Lane Optional



Tempered Glass (optional)



LED Light (blue: normal state; green: passing through; red: invalid card)

Access Control System

Daosafe turnstile gates can be well integrated with any 3rd party access control systems



Card Solution



QR/Bar Code Solution



Biometric Solution



Remote Control



Touchless Button



Card



QR Code



Fingerprint



Face



Palm Vein

One lane with card solution installed at exhibition



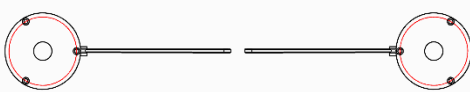
Specifications

Model No.	DS8000H
Type	Cylinder Swing Turnstile
Brand	Daosafe
Framework Material	304 stainless steel+Plexiglas arm
Arm material	Plexiglas transparency
Dimension	168*1000mm
Net Weight	50kg/pcs
Passage Width	450-900mm width
Arm Height	900mm~1800mm (Optional)
MCBF	10 million
Power Supply	AC220V/110V, 50/60Hz
Operation Voltage	24V DC
Power Consumption	40W
Operation Temperature	-15 °C - 60 °C
Operation Humidity	0 ~ 95% (No freeze)
Working Environment	Indoor/Outdoor (shelter)
Flow Rate	25 people per minute
LED Indicator	Yes
Passing Direction	Single directional / Bi-directional
Emergency	Automatic arm open when power off
Communication	Dry contact, Relay signal, RS485
Flexibility	Integrate with any access control



Dimensions

Top View



Front View

