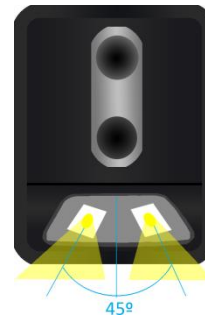
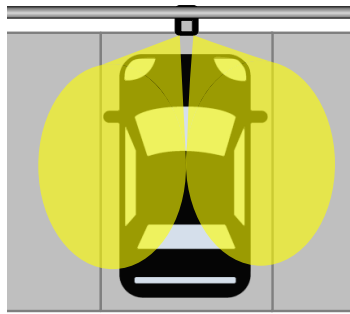


TRILOGY - 3 IN 1 FRONT END SENSOR

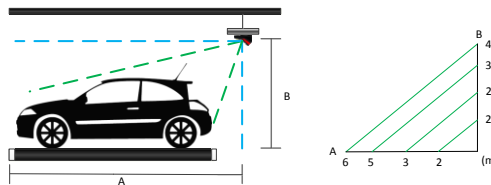
Detector, Indicator & Lighting in 1 device for The Efficient Parking



5 LIGHTING



6 INSTALLATION



OPTIMAL DETECTION DISTANCE			
B (m)	2	2,5	3
A (m)	4	5	6

Between the sensor and the parking space no obstacles should be placed.

You can find this manual in electronic format on the Circontrol web: www.circontrol.com



Before performing any maintenance, repair or handling of any of the connections of the equipment, must disconnect the device from any power source and also the connection of measurement. When you suspect a malfunction of the equipment please contact the service. The design of the equipment allows a quick replacement in case of failure. Only accessories complying with the manufacturer's specifications should be used.



If the equipment is used in a way not specified by the manufacturer, the operation and integrity of the equipment may be compromised.

1 DESCRIPCIÓN

The trilogy is a 3-in-one device. Located at the front end of the bay, detects the presence of a vehicle in the parking space. It incorporates a RGB-led indicator for the state of the bay with configurable brightness. Finally, the equipment illuminates the bay for an optimal visibility of the bay, configurable lighting for different scenarios depending on the occupation of the bay. Available adaptor accessory when pipe installation is needed.

2 FEATURES

- Detection**
 - Double Ultrasonic Capsule (free/occupied)
 - Temperature °C (thermal map)
- Indication**
 - 8 RGB predefined colours
 - Anti-theft alarm flicker
 - Occupation time alarm flicker
 - Indication brightness adjustment according to car park occupancy
 - On/Off each indicator side for Uni/Bidirectional indication.
- Lighting**
 - Adjustable bay lighting by software and/or by bay and time occupation

3 COMMUNICATION PROTOCOL

The connection between the controllers and the system elements is carried out through a communications bus RS-485. The communication speed and data frame format, by default, are 19200, 8, N, 1.

4 TECHNICAL CHARACTERISTICS

Power supply

Input voltage	+24/48 Vdc
	Min/max 18 / 60 Vdc
Consumption	1,5..5W@0..100%lighting

Indication

Luminous flux RGB (mcd)	15000, 3600, 3000
-------------------------	-------------------

Serial interface

Interface	RS-485
Speed	19200, 8, N, 1

Environmental conditions

Working temperature	-20 °C a +60 °C
Working Humidity	5 - 95% Without condensing
Degree of protection	IP30

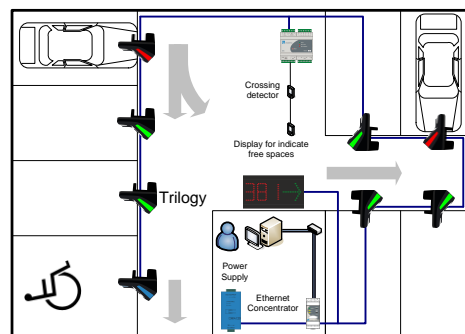
Dimensions

Dimensions	117 x 132.9 x 166 mm
------------	----------------------

Mechanical characteristics

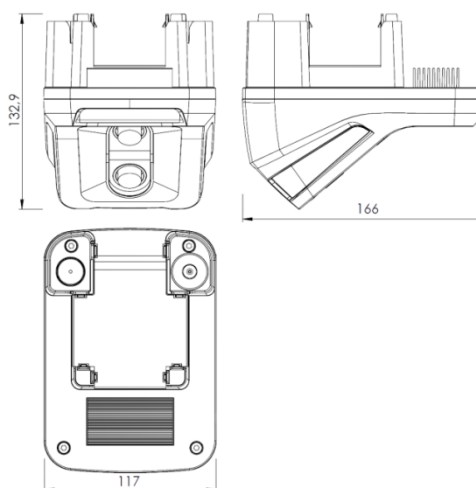
Box type	PC Self-extinguish
----------	--------------------

7 WIRING



Terminal	Wire	Description
1	Yellow	+Vcc
2	White	GND
3	Green	A RS-485
4	Brown	B RS-485

8 DIMENSIONS



9 SERVICE SUPPORT

In case of malfunction or breakdown, call for technical service of CIRCONTROL, S.A.

CIRCONTROL, S.A. – After sales service
Innovació, 3 (Industrial Park Can Mitjans)
08232 Viladecavalls
Tel: (+34) 93 736 29 40
Fax: (+34) 93 736 29 41
Web: www.circontrol.com
E-mail: ps-support@circontrol.com