

FRONT END BAY DETECTION SENSOR
Located at the beginning of the parking space



You can find this manual in electronic format on the Circontrol web: www.circontrol.com

⚡ Before performing any maintenance, repair or handling of any of the connections of the equipment, must disconnect the device from any power source and also the connection of measurement. When you suspect a malfunction of the equipment please contact the service. The design of the equipment allows a quick replacement in case of failure.

⚠ If the equipment is used in a way not specified by the manufacturer, the operation and integrity of the equipment may be compromised.

1 DESCRIPTION

The bilogy equipment is a bay detector. It incorporates a light of the state of bay with 180° of visibility with RGB colors which are configurable. A competitive device because of its flexibility and quick installation. It has a socket to adapt to an installation with tube.

2 FEATURES

- Sensorization**
- Ultrasonic (bay detection)
 - Temperature C°(heat map)
- Indication**
- 8 RGB predefined Colors
 - Anti-steel alarm flicker
 - Occupation time alarm flicker
 - Indication brightness adjustment according to car park occupancy

3 COMMUNICATION PROTOCOL

The connection between the controllers and the system elements is carried out through a communications bus RS-485. The communication speed and data frame format, by default, are 19200, 8, N, 1.

4 TECHNICAL CHARACTERISTICS

Power supply

Input voltage +24/48 Vdc
Min/max 18 / 60 Vdc

Consumption 1,5 W

Indication

Luminous flux RGB (mcd) 10000, 2400, 2000

Serial interface

Interface RS-485
Speed 19200, 8, N, 1

Environmental conditions

Working temperature -20 °C a +60 °C
Working Humidity 5% - 95%.
Without condensing

Degree of protection IP54

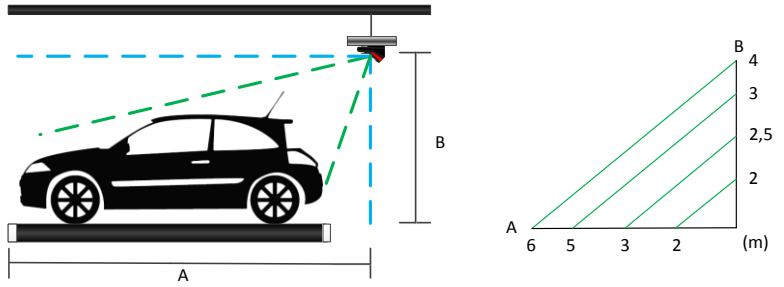
Dimensions

Dimensions 117 x 132.9 x 166 mm

Mechanical characteristics

Box type PC Self-extinguish

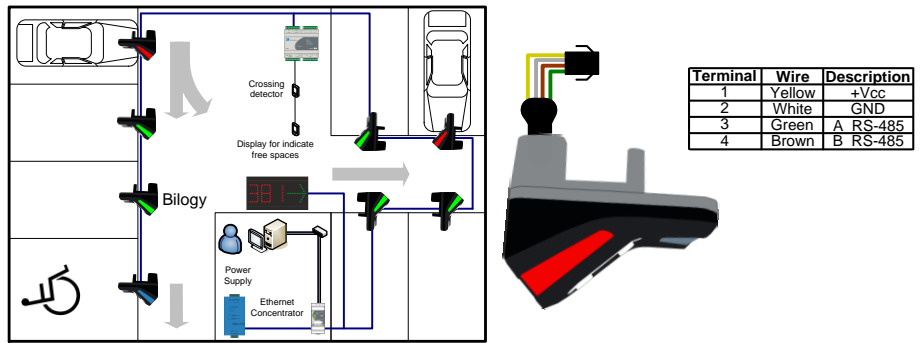
5 INSTALATION



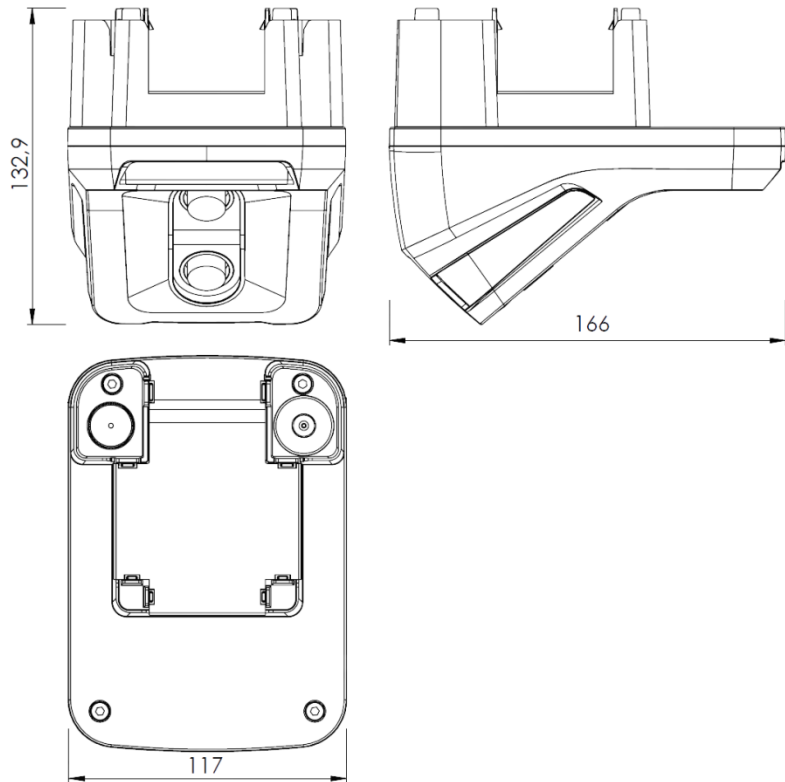
OPTIMAL DETECTION DISTANCE			
B (m)	2	2,5	3
(2X)+A (m)	4	5	6

Between the sensor and the parking space no obstacles should be placed.

6 WIRING



7 DIMENSIONS



8 SERVICE SUPPORT

In case malfunction or breakdown, call for technical service of **CIRCONTROL, S.A.**

CIRCONTROL, S.A. – After sales service
Innovació, 3 (Industrial Park Can Mitjans)
08232 Viladecavalls
Tel: (+34) 93 736 29 40
Fax: (+34) 93 736 29 41
Web: www.circontrol.com
E-mail: ps-support@circontrol.com