



PORTIER

Parking system by FLS Finland

FLS ParkSensor Bell

- Only the highest quality LEDs used
- Excellent visibility with wide viewing angles
- Completely maintenance-free performance
- Unique audio feature for media sales

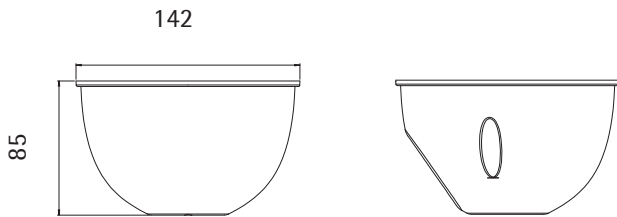
FLS ParkSensor Bell



Method of vehicle detection	Ultrasound
Number of LEDs	Green 6 pcs, Red 7 pcs
Sensor size (h x w)	85x 142
Cover material	Polycarbonate
Cover colour	Non-reflective matt black
Weight	315 g
Sensor protection	IP55
Expected lifetime of LEDs	100 000 h
LED brightness	Minimum 2500 mcd
Working temperature	-40 °C - +70 °C
Maximum detection distance	4 m
PWB protection	Conformal coating

Sensor viewing angle, horizontal	±150°
Sensor viewing angle, vertical	±45°
Supply voltage	24 VDC (via RS-485)
Supply voltage for RowMasters	240 VAC, 50-60 Hz
Connection type (data)	RS-485
Power consumption	1.4 W - 5.5 W
Audio features	Integrated speaker, maximum 2 min audio file
Sound quality	Mono, 22 kHz / 8 bit, .wav
Sound output	Max 92 dB, adjustable
Complies	CE, RoHs
Warranty	2 years
Manufactured in	Finland

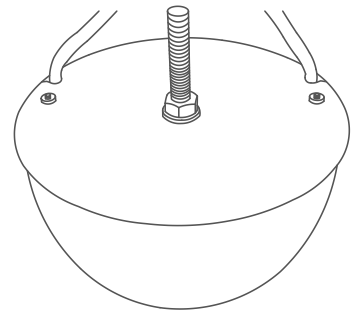
ParkSensor Bell dimensions



Mounting

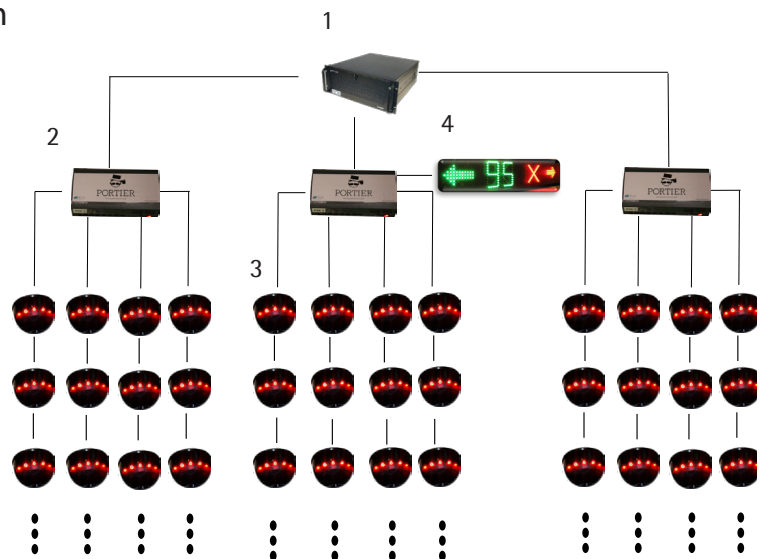
Sensor's bottom plate contains threaded hole for 8 mm threaded rod that can be used to fix the sensor to the roof or other structures.

CAT cabling can be tied around the threaded rod with cable ties or alternatively use 20 mm aluminium conduit around the threaded rod in order to hide the cabling.



Schematic picture of the complete system

- 1) ParkControl server and software
SW for system configuration and monitoring
- 2) Control unit (RowMaster)
Max 63 ParkSensors in four chains
Additionally max 4 Solo/Duo/Trio displays
TCP/IP communication to server
- 3) ParkSensor Bell
Space-specific sensor
RS-485 communication to control unit
Supply voltage via RowMaster
- 4) Solo/Duo/Trio displays
Directional display for driveways
RS-485 communication to control unit
Supply voltage via RowMaster



WE MAKE IT
VISIBLE