

## Pedestrian Gates

### MPR 112

The MPR series is designed to control pedestrians entering or exiting restricted areas, usually under surveillance, in low security situations. Personal surveillance is therefore recommended as the barrier can be breached.

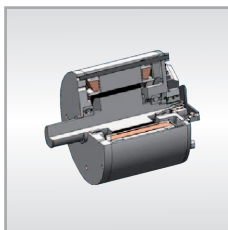
The aisle is blocked by means of a retractable triangular wing made of an aluminum core construction covered by PU-foam. Alternatively an acrylic glass wing is available. Two different models allow two different passage widths (520mm and 960 - 990mm).

The MPR series can be used in bidirectional applications to control the entry and exit with only one line. A line or installation consists of at least two modules.



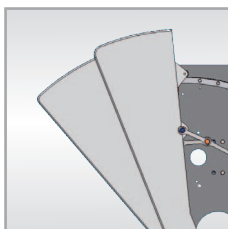
#### Housing and quality

The housing made of stainless steel is separated into three segments. The locked middle segment contains the controller and the drive unit. Access control devices (such as card readers, finger print readers etc.) can be installed on a stainless steel fascia panel located at each end segment. These segments also contain the Gate End Displays showing the current operational state to the user. The housing offers protection class IP 32.



#### Motor and control unit

The MHTM™ motor with sensor technique offers almost silent operation. The motor allows a direct drive of the rotating center without additional gearing. It operates under constant power and thus prevents condensation and prolongs the life of the motor. In connection with the universal MBC controller we can provide features that are very useful and expedient for our customers.



#### Wing types

The standard wing for the MPR series is made of an aluminium core construction covered with PU-foam. This patented pending construction allows to block even an passage of 960 to 990 mm with the slim housing width of 280 mm. Furthermore, a significant increase of the opening und closing time can be achieved, resulting in a much better tailgating behavior.

Alternatively, acrylic wings may be used (for passage widths of 520mm only).



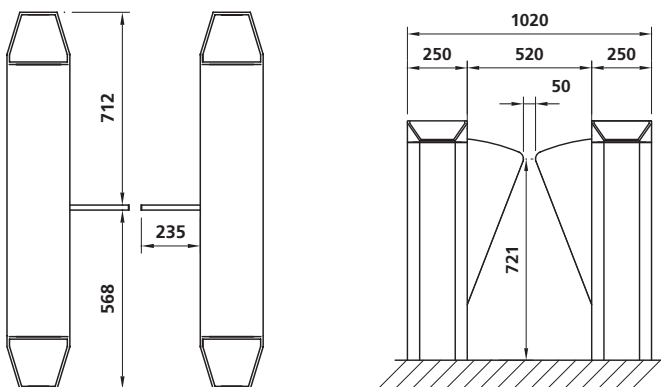
#### Safety

Persons passing the gate are monitored by eight photocells. They detect the direction and prevent closure as long as a person or object is within the safety zone. The gate closes automatically when the lane is cleared. Unauthorised attempts at access/passage are detected and can trigger an alarm signal. In the event of a power failure or in an emergency the gate opens to provide free passage.

Technical data	MPR 112 (250)	MPR 112 (280)
Voltage	115 - 240 V AC	115 - 240 V AC
Frequency	50 - 60 Hz	50 - 60 Hz
Power consumption max.	35 W	117 W
Duty cycle	100%	100%
Passage width	520 mm	960 - 990 mm *
Housing dimensions (WxLxH)	250 x 1300 x 1035 mm	280 x 1300 x 1035 mm
Drive unit	MHTM™	MHTM™
Opening / closing times (acryl wing)	0.35 s	-
Opening / closing times (soft wing)	0.3 s	0.6 s
Protection class	IP 32	IP 32
Temperature range	0 to +45 °C	0 to +45 °C

\* For a passage width of 960mm, the gap between the open wings is 50mm. For a passage width of 990mm, the gap is 80mm.

#### Dimensional drawings MPR112 (250) / Passage width 520 mm



#### Dimensional drawings MPR112 (280) / Passage width 960-990 mm

